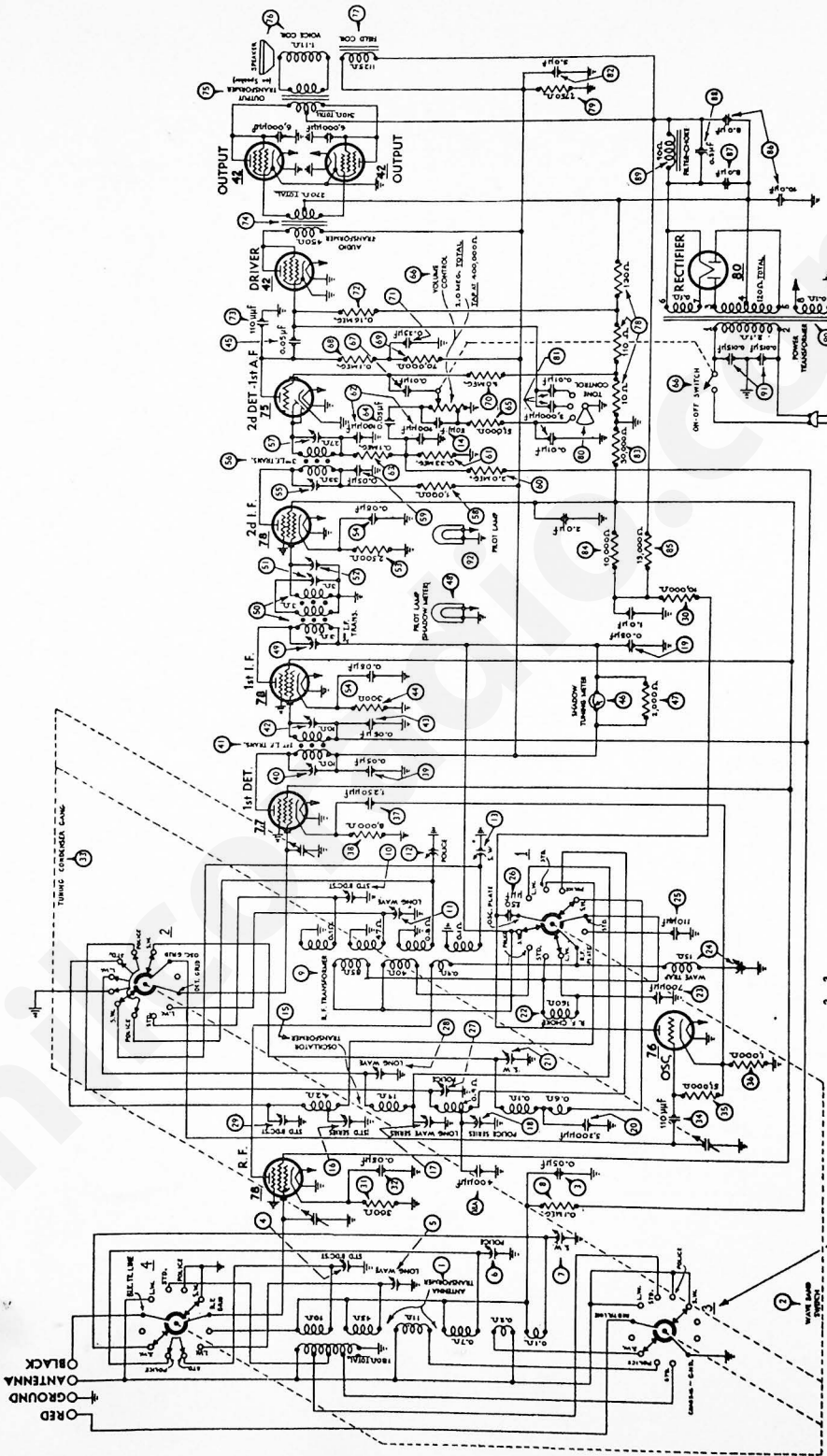


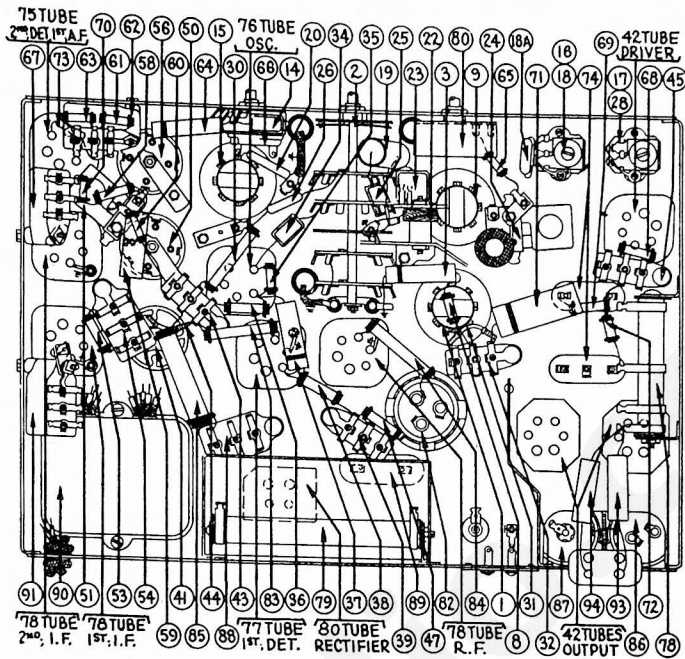
# MODEL 660



I. F. — 460 K. C.

10 Sec-4  
All Switch Sections Shown  
in Position No. 4.

Numbers Indicate Relative Position of Switch Sections as seen from Front of Chassis.



## REPLACEMENT PARTS—MODEL 660

① Antenna Transformer	32-1750	⑤⑥ Condenser (05 Mfd. Tubular)	30-4123
② Waveband Switch	42-1120	⑦ Resistor (2 Meg., Red, Black, Green)	33-1025
③ Condenser (.05 Mfd. Tubular)	30-4020	⑧ Resistor (33000 ohms) (Orange, Orange, Yellow)	33-1200
④ Compensating Condenser (Ant. Standard)	Part of ①	⑨ Condenser (.00011 Mfd. Twin Bakelite Block)	8035-DG
⑤ Compensating Condenser (Ant. Longwave)	Part of ①	⑩ Resistor (1 Meg.) (White, White, Yellow)	6099
⑥ Compensating Condenser (Ant. Police)	Part of ①	⑪ Condenser (.05 Mfd. Tubular)	30-4020
⑦ Compensating Condenser (Ant. Shortwave)	Part of ①	⑫ Resistor (50000 ohms) (Green, Brown, Orange)	6098
⑧ Resistor (1 Meg.) (White, White, Orange)	4411	⑬ Volume Control & On-Off Switch	33-5110
⑨ R. F. Transformer	32-1751	⑭ Condenser (.01 Mfd. Bakelite Block)	3903-SU
⑩ Compensating Condenser (R. F. Standard)	Part of ①	⑮ Resistor (1 Meg.) (White, White, Yellow)	6099
⑪ Compensating Condenser (R. F. Longwave)	Part of ①	⑯ Resistor (70000 ohms) (Violet, Black, Orange)	5385
⑫ Compensating Condenser (R. F. Police)	Part of ①	⑰ Resistor (1 Meg.) (Brown, Black, Green)	33-1096
⑬ Compensating Condenser (R. F. Shortwave)	Part of ①	⑱ Condenser (.25 Mfd. Tubular)	33-1191
⑭ R. F. Transformer	30-1029	⑲ Resistor (160000 ohms) (Brown, Blue, Orange)	30-1031
⑮ Oscillator Transformer	32-1752	⑳ Condenser (.00011 Mfd. Mica)	30-1031
⑯ Compensating Condenser (Standard Series)	Part of 31-6027	㉑ Audio Transformer	32-7037
⑰ Compensating Condenser (Longwave Series)	Part of 31-6054	㉒ Output Transformer	32-7078
⑱ Condenser (.00041 Mfd. Mica)	30-1000	㉓ Cone & Voice Coil Assembly (H-13)	02528
⑲ Compensating Condenser (Osc. Police Series)	Part of 31-6027	㉔ Field Coil & Pot Assembly (H-13)	32-3104
㉑ Condenser (.05 Mfd. Tubular)	30-4123	㉕ Resistor (B. C. Wirewound) (10 ohms, 110 ohms, 130 ohms)	33-3137
㉒ Condenser (.0025 Mfd. Mica)	30-1058	㉖ Resistor (Wirewound, 7750 ohms)	33-2020
㉓ Compensating Condenser (Osc. Shortwave)	Part of ③	㉗ Tone Control	30-4343
㉔ R. F. Choke	32-1745	㉘ Condensers in Tone Control	Part of ④
㉕ Condenser (.007 Mfd. Mica)	5863	㉙ Condenser (Electrolytic) (3 Mfd., 2 Mfd., 1 Mfd.)	30-2122
㉖ Wave Trap	38-6850	㉚ Resistor (30000 ohms) (Orange, Black, Orange)	7536
㉗ Condenser (.00011 Mfd. Mica)	30-1031	㉛ Resistor (10000 ohms) (Brown, Black, Orange)	3524
㉘ Condenser (.0025 Mfd. Mica)	30-1032	㉜ Resistor (13000 ohms) (Brown, Orange, Orange)	6450
㉙ Compensating Condenser (Osc. Police)	Part of ③	㉝ Condenser (Electrolytic) 8 Mfd., 10 Mfd.)	30-2048
㉚ Compensating Condenser (Longwave H. F. Erd)	Part of 31-6054	㉞ Condenser (Electrolytic) 3 Mfd.)	30-2025
㉛ Compensating Condenser (Osc. Standard)	Part of ③	㉟ Condenser (.3 Mfd. Bakelite Block)	0287-DG
㉜ Resistor (10000 ohms) (Brown, Black, Orange)	3524	㊱ Filter Choke	32-7056
㉝ Resistor (300 ohms Flexible) (Orange, Black, Black)	33-3010	㊲ Power Transformer 115 Volts 60 Cycles	32-7440
㉞ Condenser (.05 Mfd. Bakelite Block)	3615-SG	115 Volts 25 Cycles	32-7441
㉟ Tuning Condenser Assembly	31-1609	250 Volts 60 Cycles	32-7442
㊱ Condenser (.00011 Mfd. Mica)	30-1031	⑥⑦ Condenser (.015 Mfd. Twin Bakelite Block)	32-7442
㊲ Resistor (51000 ohms) (Green, Brown, Orange)	6098	⑥⑧ Pilot Lamp (Dial)	34-2039
㊳ Resistor (1000 ohms) (Brown, Black, Red)	5837	⑥⑨ Condenser (.006 Mfd. Tubular)	30-4125
㊴ Condenser (.00125 Mfd. Tubular)	30-4336	⑥⑩ Condenser (.006 Mfd. Tubular)	30-4125
㊵ Resistor (8000 ohms) (Gray, Black, Red)	5838	Dial Scale	27-5115
㊶ Condenser (.05 Mfd. Bakelite Block)	3615-SG	Dial Mark and Hub Assembly	31-1575
㊷ Compensating Condenser (1st I. F. Primary)	Part of ③	Dial Hub	28-7129
㊸ 1st I. F. Transformer	32-1642	Dial Spring Clamp	28-2837
㊹ Compensating Condenser (1st I. F. Secondary)	Part of ③	Socket—4-Prong	27-6042
㊺ Condenser (.05 Mfd. Bakelite Block)	3615-SG	Socket—5-Prong	27-6035
㊻ Resistor (300 ohms Flexible) (Orange, Black, Black)	33-3010	Socket—6-Prong	27-6036
㊼ Condenser (.05 Mfd. Bakelite Block)	3615-SU	Speaker Plug Socket	27-6033
㊽ Shadow Tuning Meter	045-2083	Knob (Volume, Tone, Waveband)	27-4208
㊾ Resistor (2000 ohms) (Red, Black, Red)	6984	Knob (Station Selector)	27-4206
㊿ Pilot Lamp (Shadow Tuning Meter)	Part of ③	Knob (Slow Speed)	27-4207
① Compensating Condenser (2nd I. F. Primary)	Part of 31-6028	Tube Shield (4 used)	28-2726
② 2nd I. F. Transformer	04000-R	Tube Shield (2 used)	28-2755
③ Compensating Condenser (2nd I. F. Tertiary)	32-1734	Tube Shield Base	28-2728
④ Compensating Condenser (2nd I. F. Secondary)	Part of 31-6028	A. C. Cord & Plug	L-943A
⑤ Resistor (2500 ohms) (Red, Green, Red)	7775	Base	28-3165
⑥ Condenser (.05 Mfd. Twin Bakelite Block)	3615-DG	Bezel Glass	27-8011
⑦ Compensating Condenser (3rd I. F. Primary)	Part of 31-6003	Chassis Mtg. Bolt	W-1496A
⑧ Compensating Condenser (3rd I. F. Secondary)	Part of 31-6003	Chassis Mtg. Washer (Rubber)	27-4201
⑨ Third I. F. Transformer	32-1188	Chassis Mtg. Bumper (Rubber)	37-4200
⑩ Compensating Condenser (3rd I. F. Secondary)	Part of 31-6003		
⑪ Resistor (1000 ohms) (Brown, Black, Red)	5837		

\* Code 122: 32-1864

• Code 122: 45-2086

‡ Code 122: 32-1865

\* Code 122: 32-1866